

## Purge Assemblies

### Description

The installation of a purge assembly on the inlet of your pressure regulator, pigtail inlet, or gas control system is highly recommended anytime a toxic, corrosive, flammable, or ultra high purity gas is to be used in the system. Purge assemblies perform the following multiple functions in your gas system during cylinder change-overs:

- Eliminate the release of toxic, corrosive, or flammable gases into the workplace.
- Maintain the integrity of an ultra high purity system.
- Protect equipment in corrosive gas service from exposure to moisture, thus preventing destructive corrosion.

### Deep Purge Valve System Series 4800

### Description

The Series 4800 deep purge valve system provides the ultimate in purging capability in a compact design with a very small internal volume. These units can be used in a wide variety of applications where contamination must be avoided during cylinder changeovers.

The deep purge valve system is an ideal accessory installed between the cylinder and the regulator of ultra high purity carrier lines for gas chromatography systems that cannot tolerate even a minimum amount of oxygen and moisture that can enter the system during cylinder changeovers.

The deep purge valve system can be used with gas mixtures containing reactive components to ensure that no moisture enters the sampling system to cause deterioration of the reactive components that can lead to concentration inaccuracies. Use of the 4820 also provides protection from the release of toxic gases into the atmosphere during cylinder changeovers.



### Ordering Information

Model	Material of Construction	Valve Type	Connections	
			Inlet	Outlet
4820-P4FF	stainless steel	multi-turn	1/4" NPT female	1/4" NPT female
4820-P4FM	stainless steel	multi-turn	1/4" NPT female	1/4" NPT male (3" nipple)
4820-CGA	stainless steel	multi-turn	specify CGA	1/4" NPT male (3" nipple)
4821-P4FF	stainless steel	90° lever	1/4" NPT female	1/4" NPT female
4821-P4FM	stainless steel	90° lever	1/4" NPT female	1/4" NPT male (3" nipple)
4821-CGA	stainless steel	90° lever	specify CGA	1/4" NPT male (3" nipple)
4822-CGA	stainless steel	multi-turn	specify CGA	mating CGA
4823-CGA	stainless steel	90° lever	specify CGA	mating CGA

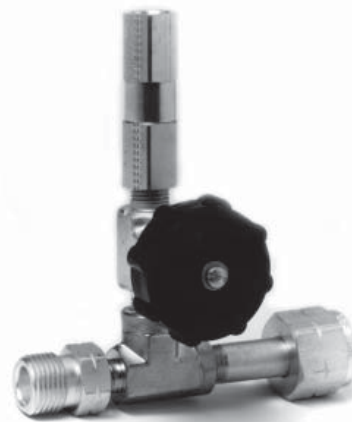
tee purge assemblies

Series 4500

Description

The Series 4500 tee purge assemblies are designed to be installed between the cylinder valve and the pressure regulator. They enable the user to purge the system through the regulator with an inert gas.

The Series 4500 units feature multi-turn diaphragm packless valves and a check valve installed on the purge gas inlet. They are rated for 3000 psig.



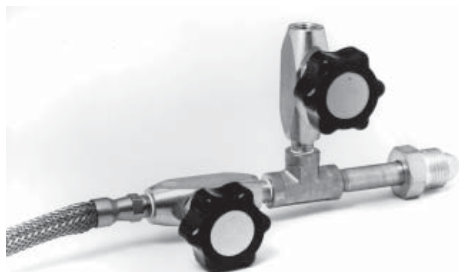
Ordering Information

Model	Material of Construction
4510-CGA*	brass
4520-CGA*	stainless steel
4550-CGA*	monel® and Al-Si-Bronze

4

tee purge assemblies

Series 4600



Description

The Series 4600 tee purge assembly was designed for use with inert gases such as argon, helium, and nitrogen. When installed either on the inlet to a pressure regulator or on the cylinder end of a pigtail they are an ideal device for purging the cylinder inlet connection after cylinder changeover to eliminate the introduction of oxygen and water to the system. These tee purges conveniently use the gas in the cylinder for purging.

The Series 4600 can be constructed either with multi-turn or 90° lever actuated diaphragm packless valves. This entire assembly is designed to pass a helium leak rated of 1 x 10<sup>-9</sup> sccm. They are rated for 3000 psig.

Ordering Information

Model*	Materials of Construction	Connections	
		Inlet	Outlet
4610-P4FF multi-turn	brass	1/4" NPT female	1/4" NPT female
4611-P4FF 90° lever	brass	1/4" NPT female	1/4" NPT female
4610-CGA multi-turn	brass	specify CGA	1/4" NPT female
4610-CGA 90° lever	brass	specify CGA	1/4" NPT female
4610M-CGA multi-turn	brass	specify CGA	1/4" NPT male
4611M-CGA 90° lever	brass	specify CGA	1/4" NPT male
4610F-CGA multi-turn	brass	specify CGA	1/4" NPT female
4611F-CGA 90° lever	brass	specify CGA	1/4" NPT female
4612-CGA multi-turn	brass	specify CGA	mating CGA
4613-CGA 90° lever	brass	specify CGA	mating CGA
4620-P4FF multi-turn	ss	1/4" NPT female	1/4" NPT female
4621-P4FF 90° lever	ss	1/4" NPT female	1/4" NPT female
4620-CGA multi-turn	brass	specify CGA	1/4" NPT female
4620-CGA 90° lever	brass	specify CGA	1/4" NPT female
4620M-CGA multi-turn	ss	specify CGA	1/4" NPT male
4621M-CGA 90° lever	ss	specify CGA	1/4" NPT male
4620F-CGA multi-turn	ss	specify CGA	1/4" NPT female
4621F-CGA 90° lever	ss	specify CGA	1/4" NPT female
4622-CGA multi-turn	ss	specify CGA	mating CGA
4623-CGA 90° lever	ss	specify CGA	mating CGA

\*Specify CGA connection required when ordering